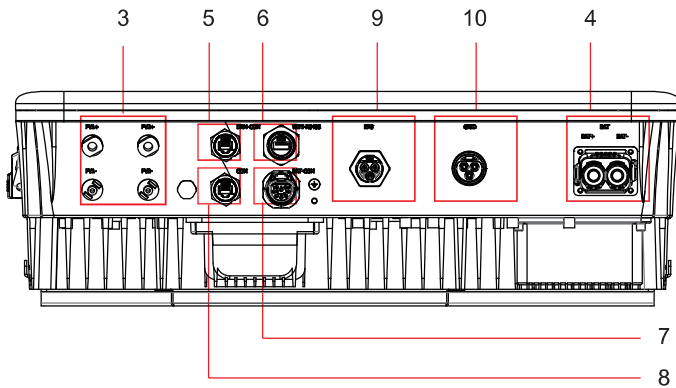
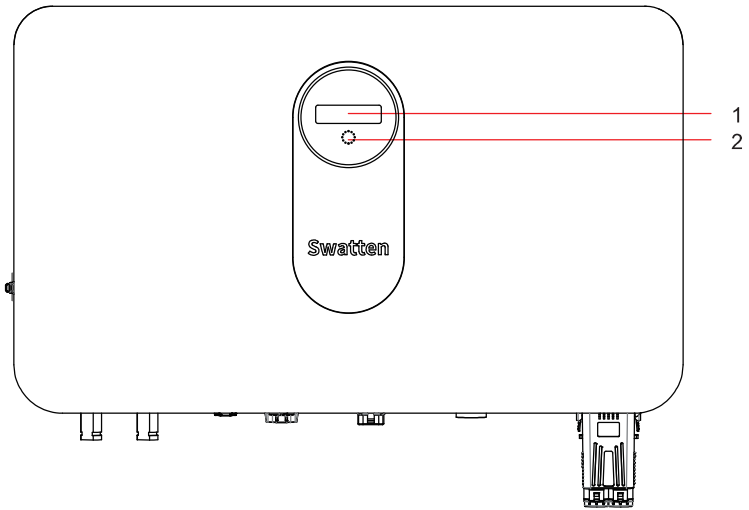


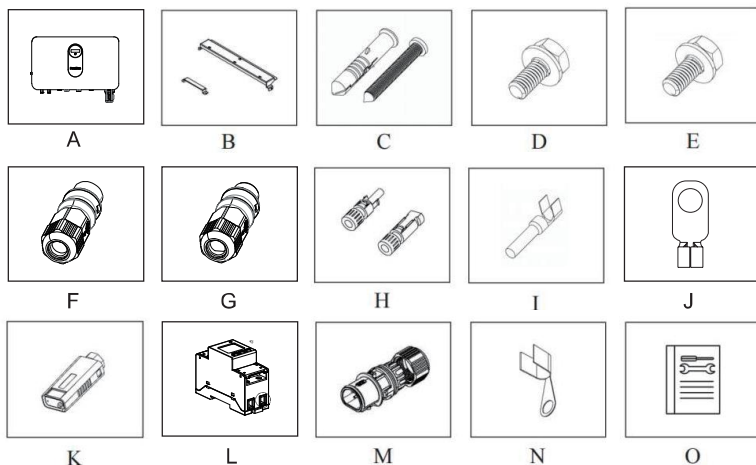
# Quick Start Guide



- |            |            |               |
|------------|------------|---------------|
| 1. LED     | 2. Button  | 3. PV         |
| 4. BAT     | 5. DRM-COM | 6. WIFI-RS485 |
| 7. BAT-COM | 8. COM     | 9. EPS        |
| 10. GRID   |            |               |

Check the following items before receiving the product.

1. Check the outer packing box for damage, such as holes, cracks, deformation, and others signs of equipment damage. Do not unpack the package and contact the supplier as soon as possible if any damage is found.
2. Check the inverter model. If the inverter model is not what you requested, do not unpack the product and contact the supplier.
3. Check the deliverables for correct model, complete contents, and intact appearance. Contact the supplier as soon as possible if any damage is found.



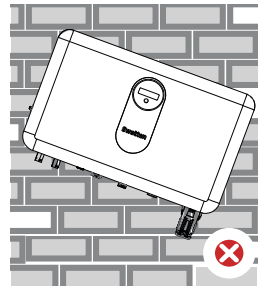
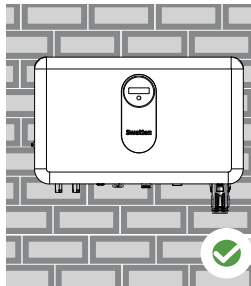
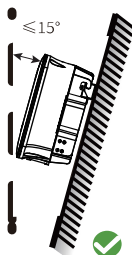
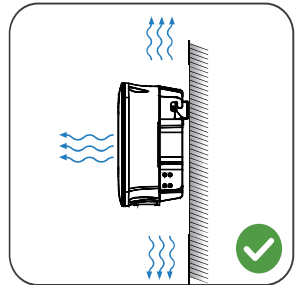
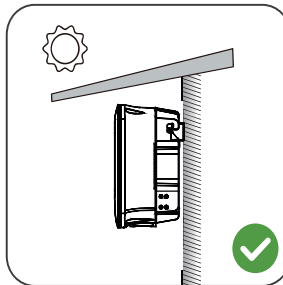
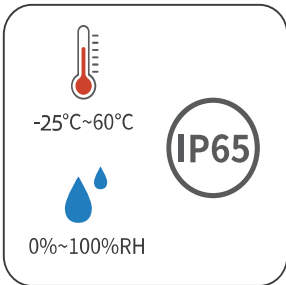
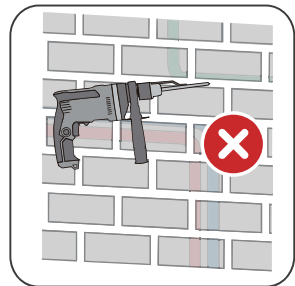
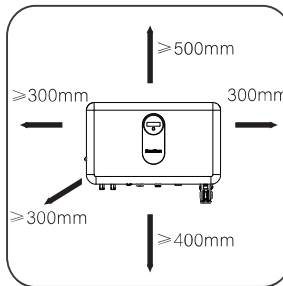
Item	Name	Quantity
A	Inverter	1
B	Wall-mounting bracket *	1
C	Expansion plug set	4
D	M4 screws and washers	2
E	M5 screws and washers	3
F	AC connector set	1
G	EPS connector set	1
H	PV connectors	3~4
I	Crimp contact	3~4
J	OT terminal	3
K	WiNet-S module	1
L	Smart Energy Meter	1
M	RS485 cable	2
N	OT terminal	2
O	Documents	1

\*All materials except A, B and L are in the Accessory box

# Installation

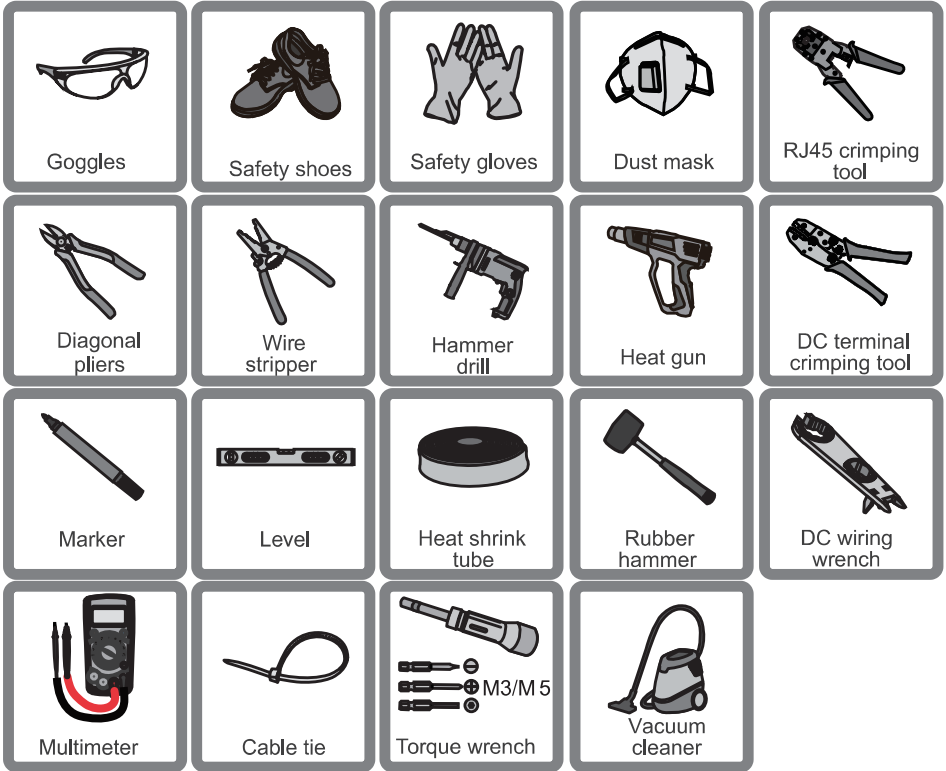
## Installation Environment Requirements

1. Do not install the equipment in a place near flammable, explosive, or corrosive materials.
2. Install the equipment on a surface that is solid enough to bear the inverter weight.
3. Install the equipment in a well-ventilated place to ensure good dissipation. Also, the installation space should be large enough for operations.
4. The equipment with a high ingress protection rating can be installed indoors or outdoors. The temperature and humidity at the installation site should be within the appropriate range.
5. Install the equipment in a sheltered place to avoid direct sunlight, rain, and snow. Build a sunshade if it is needed.
6. Do not install the equipment in a place that is easy to touch, especially within children's reach. High temperature exists when the equipment is working. Do not touch the surface to avoid burning.
7. Install the equipment at a height that is convenient for operation and maintenance, electrical connections, and checking indicators and labels.
8. Install the equipment away from electromagnetic interference.



### Installation Tool Requirements

The following tools are recommended when installing the equipment. Use other auxiliary tools on site if necessary.



## Installing the Inverter

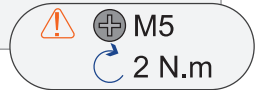
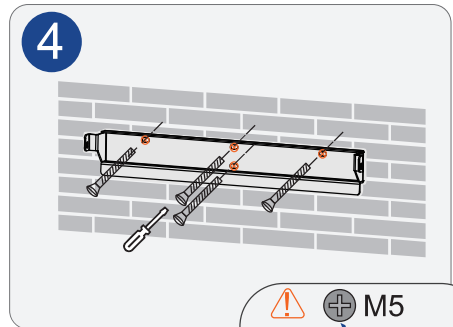
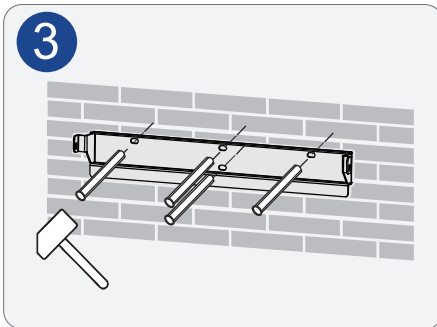
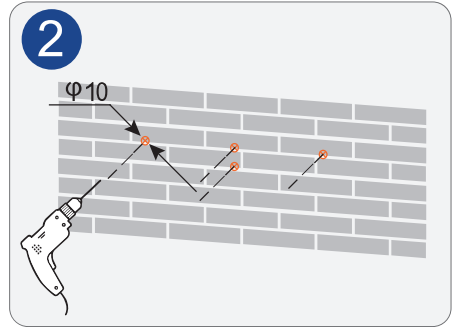
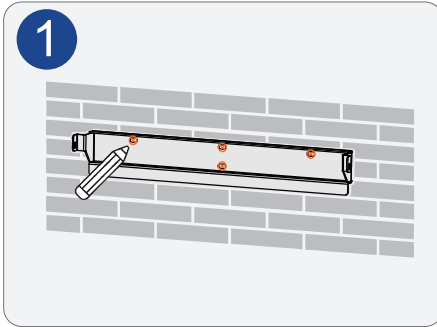
Step 1 Put the mounting plate on the wall horizontally and mark positions for drilling holes.

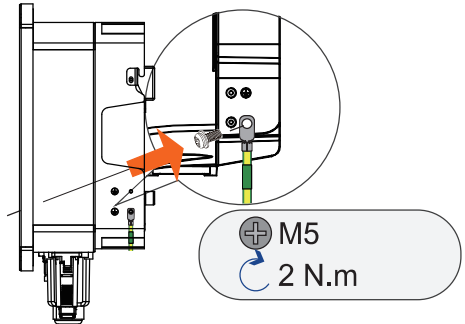
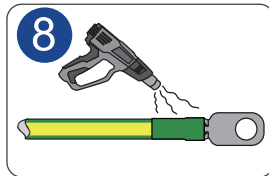
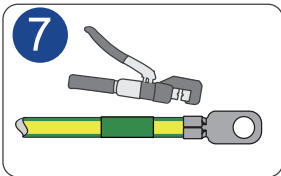
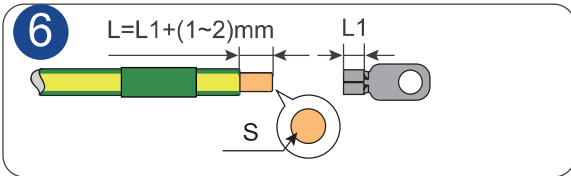
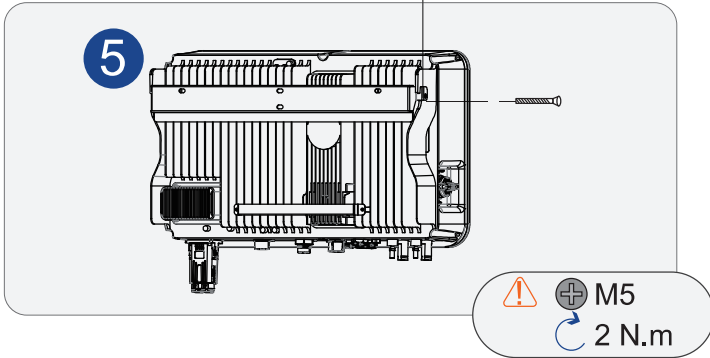
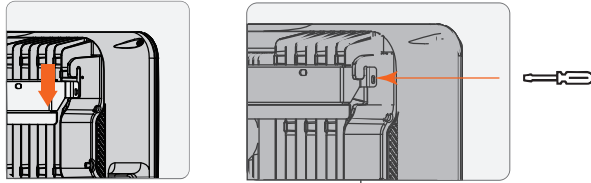
Step 2 Drill holes to a depth of 80mm using the hammer drill. The diameter of the drill bit should be 10mm.

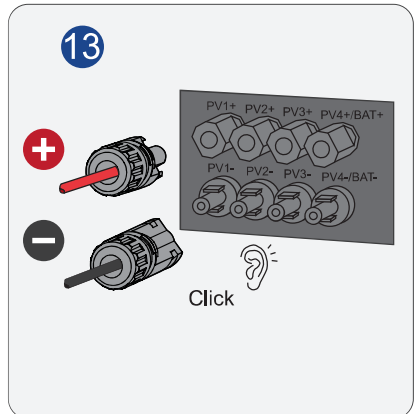
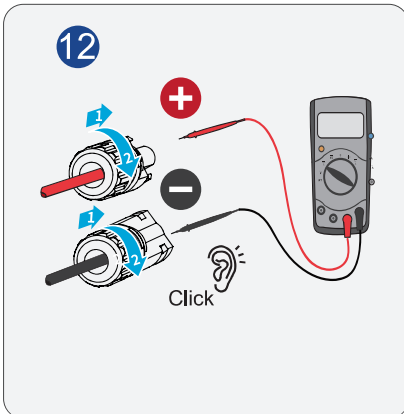
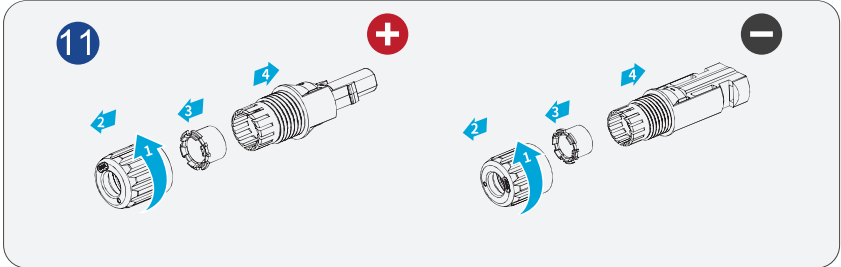
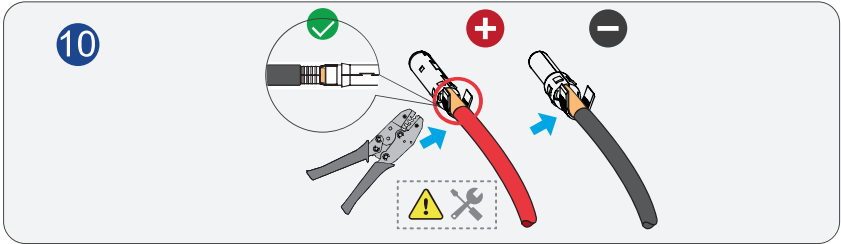
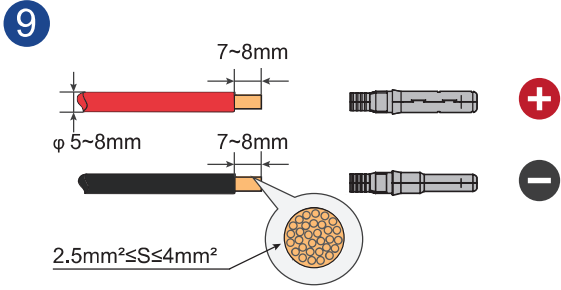
Step 3 Secure the mounting plate using the expansion bolts.

Step 4 Install the inverter on the mounting plate.

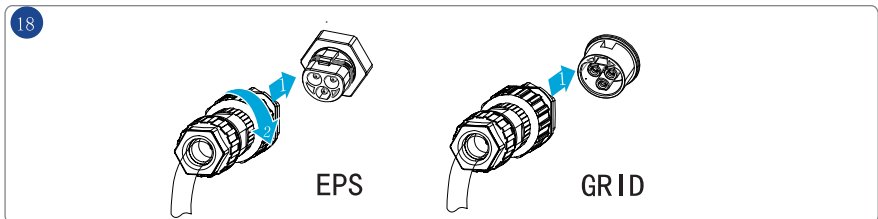
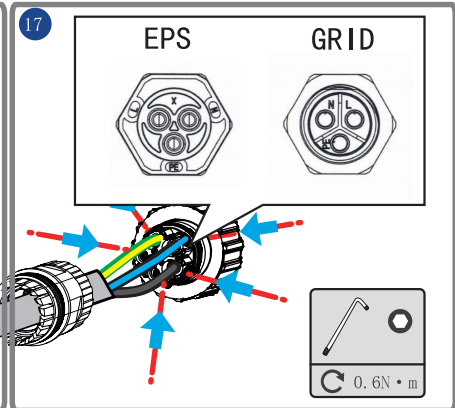
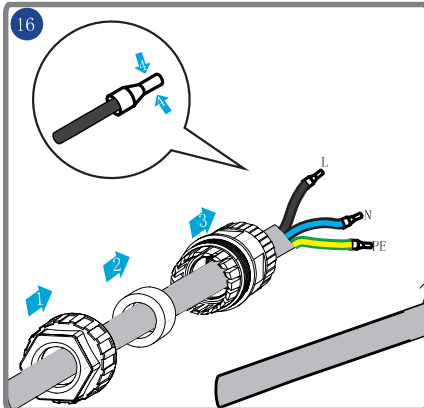
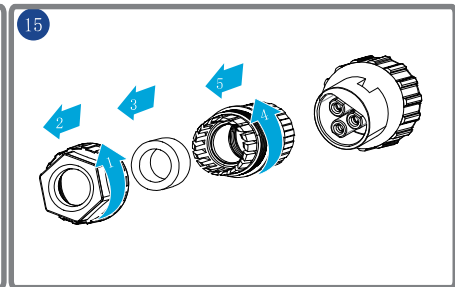
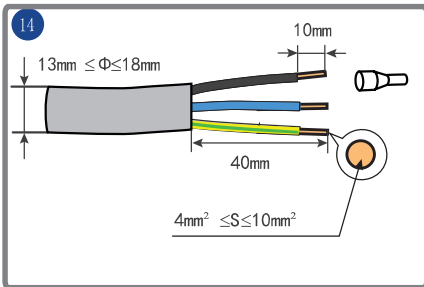
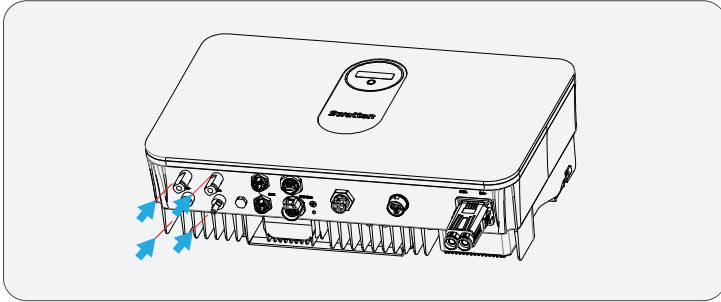
Step 5 Tighten the nuts to secure the mounting plate and the inverter.



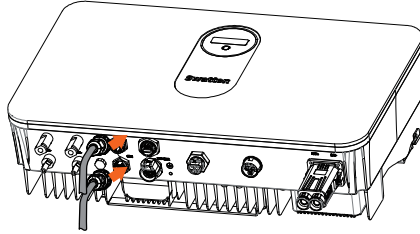




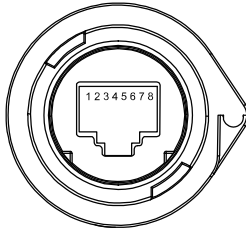




18



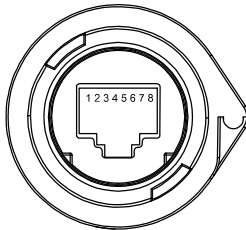
19



DRM-COM

NO.	Function
1	COM/DRMO
2	3V3_DRM
3	DRM4/8
4	DRM3/7
5	DRM2/6
6	DRM1/5
7	NC
8	NC

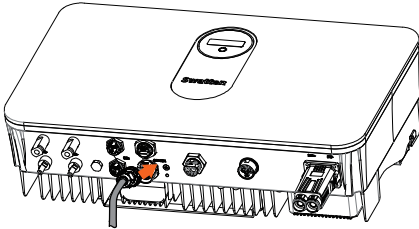
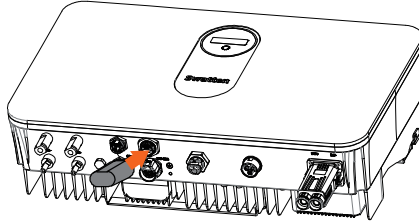
20



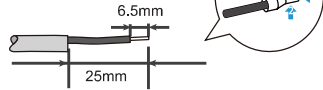
COM

NO.	Function
1	RSD_2
2	RSD_1
3	BACKUP_RS485_B
4	BACKUP_RS485_A
5	BAT_CAN_H
6	BAT_CAN_L
7	NC
8	NC

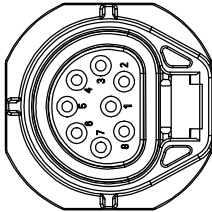
21



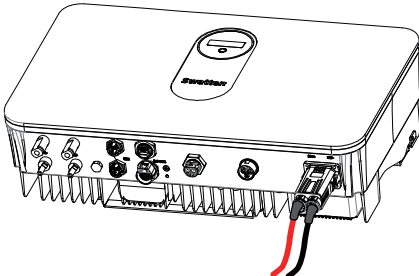
22



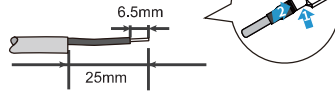
23



NO.	Function
1	BAT_CAN_H
2	BAT_CAN_L
3	NC OR GND
4	NC OR +12V
5	METER_RS485_B
6	METER_RS485_A
7	DO_NO
8	DO_COM



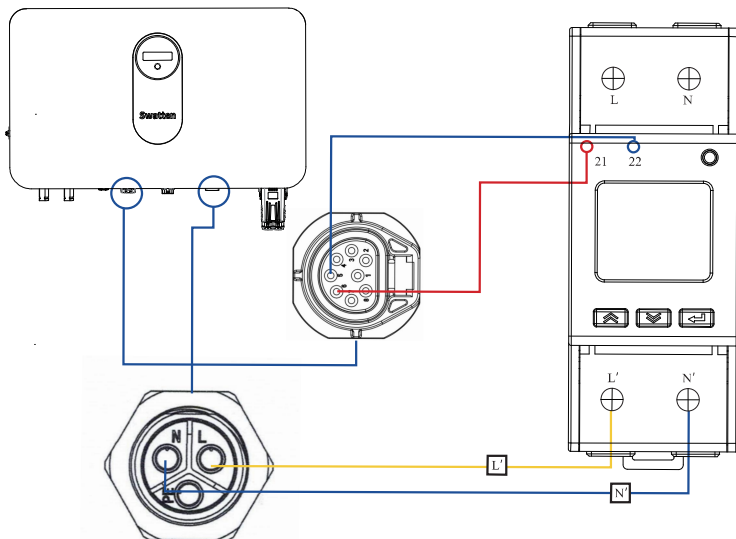
24



24

**Wiring must be correct!!!**

1. The power lines should be connected to the electricity meter in a one-to-one corresponding order and must not be connected incorrectly.
2. The communication lines should connect terminals 6 and 5 of the machine's BAT-COM to terminals 21 and 22 of the electricity meter, respectively.



The electrical connections, including the communication and power cable connections, have all been completed. For commissioning please refer to another manual: 'Stick Logger Quick Guide', or scan the QR code below to obtain the electronic version.

**Note:** The QR code required for commissioning is on the WiFi stick, please do not scan the inverter serial number on the side.



Installation video



User manual  
download



App



WWW.SWATTEN.COM